

T 430

T 430 S

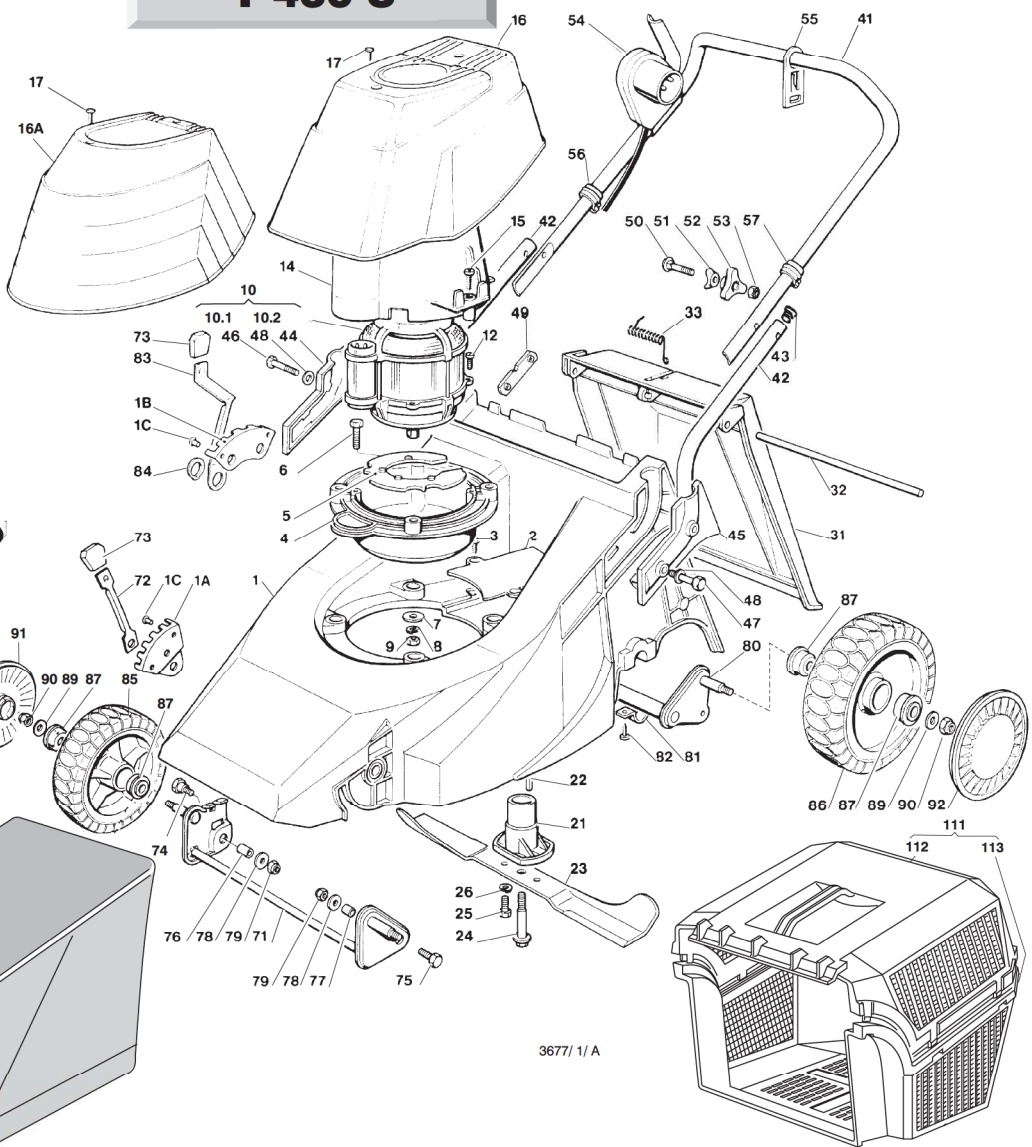
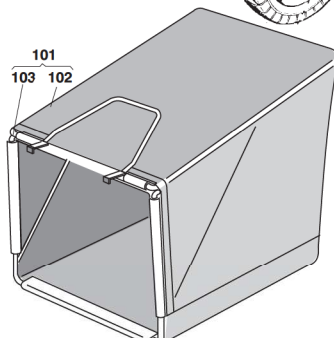
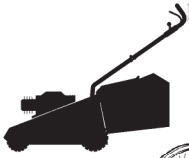
T 480

**CHASSIS
MANICO
COMANDI
DOTAZIONE VITERIE**

**DECK
HANDLE
CONTROLS
SCREWS OUTFITS**

**CHÂSSIS
MANCHERON
COMMANDES
DOTATION VISSERIE**

**GEHÄUSE
HOLM
BETÄTIGUNGEN
SCRAUBENSATZ**



SPARE PARTS CATALOGUE

GB

ERSATZTEILKATALOG

D

**CATALOGO DELLE PARTI
DI RICAMBIO**

I

**CATALOGUE DES PIÈCES
DE RECHANGE**

F

T-3677/1/A

| Pos. Nr. | Code Code Kodex | Q.tà Q.ty-Q.tè Menge | Descrizione | Description | Description | |
|----------|-----------------|----------------------|----------------------|----------------------|----------------------|----------------------|
| 1 | | | CHASSIS | DECK | CHÂSSIS | GEHÄUSE |
| — | 81001415/ 1 | 1 | ROSSO T 430 | RED T 430 | ROUGE T 430 | ROTES T 430 |
| — | 81001417/ 1 | 1 | GIALLO T 430 | YELLOW T 430 | JAUNE T 430 | GELBES GEHÄUSE T 430 |
| — | 81001421/ 1 | 1 | VERDE T 430 | GREEN T 430 | VERT T 430 | GRÜNES GEHÄUSE T 430 |
| — | 81001416/ 1 | 1 | ROSSO T 480 | RED T 480 | ROUGE T 480 | ROTES GEHÄUSE T 480 |
| — | 81001418/ 1 | 1 | GIALLO T 480 | YELLOW T 480 | JAUNE T 480 | GELBES GEHÄUSE T 480 |
| — | 81001422/ 1 | 1 | VERDE T 480 | GREEN T 480 | VERT T 480 | GRÜNES GEHÄUSE T 480 |
| 1A | 22735535/ 0 | 1 | SETTORE REGOLAZIONE | ADJUSTMENT SECTOR | SECTEUR REGLAGE | VERSTELLUNGSEKTOR |
| 1B | 22735508/ 0 | 1 | SETTORE REGOLAZIONE | ADJUSTMENT SECTOR | SECTEUR REGLAGE | VERSTELLUNGSEKTOR |
| 1C | 12500070/ 0 | 3 | RIVETTO | RIVET | RIVET | NIET |
| 2 | | | CARTER CINGHIA | BELT PROTECTION T | PROTECTION COURROIRE | RIEMENSCHUTZ |
| — | 22060171/ 0 | 1 | T 430 | T 430 | T 430 | T 430 |
| — | 22060172/ 0 | 1 | T 480 | T 480 | T 480 | T 480 |
| 3 | 12728680/ 0 | 2 | VITE | SCREW | VIS | SCHRAUBE |
| 4 | 22207202/ 1 | 1 | FLANGIA | FLANGE | BRIDE | FLANSCH |
| 5 | 22720360/ 1 | 1 | SCHERMO VENTILAZIONE | VENTILATION SCREEN | ECRAN VENTILATION | LÜFTUNGSSCHIRM |
| 6 | 12691600/ 0 | 4 | VITE | SCREW | VIS | SCHRAUBE |
| 7 | 12523070/ 0 | 4 | RONDELLA | WASHER | RONDELLE | SCHEIBE |
| 8 | 12583500/ 0 | 4 | GROWER | GROWER | GROWER | FEDERRING |
| 9 | 12293200/ 0 | 4 | DADO | NUT | ECROU | MUTTER |
| 10 | | | MOTORE | MOTOR | MOTEUR | MOTOR |
| — | 18563068/ 1 | 1 | IBMEI 1300W (230V) | IBMEI 1300W (230V) | IBMEI 1300W (230V) | IBMEI 1300W (230V) |
| — | 18563008/ 0 | 1 | RST 1300W (220-230V) | RST 1300W (220-230V) | RST 1300W (220-230V) | RST 1300W (220-230V) |
| — | 18563069/ 1 | 1 | IBMEI 1300W (240V) | IBMEI 1300W (240V) | IBMEI 1300W (240V) | IBMEI 1300W (240V) |
| — | 18563061/ 2 | 1 | IBMEI 1600W (230V) | IBMEI 1600W (230V) | IBMEI 1600W (230V) | IBMEI 1600W (230V) |
| — | 18563009/ 0 | 1 | RST 1600W (230V) | RST 1600W (230V) | RST 1600W (230V) | RST 1600W (230V) |
| — | 18563047/ 2 | 1 | IBMEI 1600W (240V) | IBMEI 1600W (240V) | IBMEI 1600W (240V) | IBMEI 1600W (240V) |
| 10.1 | 18740051/ 0 | 1 | VENTOLA (RST) | FAN (RST) | VENTILATEUR (RST) | LÜFTER (RST) |
| 10.1 | 18740049/ 0 | 1 | VENTOLA (IBMEI) | FAN (IBMEI) | VENTILATEUR (IBMEI) | LÜFTER (IBMEI) |
| 10.2 | 18222037/ 0 | 1 | CONDENSATORE 16 µF | CONDENSER 16 µF | CONDENSEUR 16 µF | KONDENSATOR 16 µF |

| Pos. Nr. | Codice Code Kodex | Q.tà Q.ty-Q.tè Menge | Descrizione | Description | Description | Beschreibung |
|----------|-------------------|----------------------|---|--|---|---|
| 10.2 | 18222038/0 | 1 | CONDENSATORE 20 µF | CONDENSER 20 µF | CONDENSEUR 20 µF | KONDENSATOR 20 µF |
| 12 | 12735410/0 | 4 | VITE | SCREW | VIS | SCHRAUBE |
| 14 | 22785061/0 | 1 | SUPPORTO CAPOTTINA | COVER SUPPORT | SUPPORT CAPOT | HAUBEHALTER |
| 15 | 12728710/0 | 4 | VITE | SCREW | VIS | SCHRAUBE |
| 16 | 22055045/1 | 1 | CAPOTTINA | COVER | CAPOT | HAUBE |
| 16A | 22055033/1 | 1 | CAPOTTINA | COVER | CAPOT | HAUBE |
| 17 | 12728680/0 | 2 | VITE | SCREW | VIS | SCHRAUBE |
| 21 | 22463187/2 | 1 | MOZZO | HUB | MOYEU | NABE |
| 22 | 12139440/0 | 1 | LINGUETTA | FEATHER | CLAVETTE | KEIL |
| 23 | 81004396/0 | 1 | COLTELLO | BLADE | LAME | MESSER |
| — | 81004396/0 | 1 | ALETTATO 41 cm. | WINGED 41 cm. | AILETTÉE 41 cm. | FLÜGEL 41 cm. |
| — | 81004341/2 | 1 | STANDARD 41 cm. | STANDARD 41 cm. | STANDARD 41 cm. | STANDARD 41 cm. |
| — | 81004397/0 | 1 | ALETTATO 46 cm. | WINGED 46 cm. | AILETTÉE 46 cm. | FLÜGEL 46 cm. |
| — | 81004346/2 | 1 | STANDARD 46 cm. | STANDARD 46 cm. | STANDARD 46 cm. | STANDARD 46 cm. |
| 24 | 81004353/1 | 1 | VITE | SCREW | VIS | SCHRAUBE |
| 25 | 12793101/0 | 1 | VITE | SCREW | VIS | SCHRAUBE |
| 26 | 12583500/0 | 2 | GROWER | GROWER | GROWER | FEDERRING |
| 31 | 22600023/2 | 1 | PARASASSI | STONE-GUARD | PARE-PIERRES | PRALLBLECH |
| 32 | 22517907/0 | 1 | PERNO | PIN | PIVOT | BOLZEN |
| 33 | 22450270/0 | 1 | MOLLA | SPRING | RESSORT | FEDER |
| 41 | 81006945/1 | 1 | MANICO SUPERIORE | UPPER HANDLE | PARTIE SUP MANCHERON | OBERHOLM |
| 42 | 81006917/0 | 2 | MANICO INFERIORE | LOWER HANDLE | PARTIE INF. MANCHERON | UNTERHOLM |
| 43 | 18566110/0 | 2 | PUNTALE | CAP | BOUCHON | GUMMISTOPFEN |
| 44 | 22600042/0 | 1 | PROTEZ. MANICO DX | RIGHT HANDLE PROT. | PROT. MANCHERON DROITE | RECHTER HOLMSCHUTZ |
| 45 | 22600043/0 | 1 | PROTEZ. MANICO SX | LEFT HANDLE PROT. | PROT. MANCHERON GAUCHE | LINKER HOLMSCHUTZ |
| 46 | 12691400/0 | 2 | VITE | SCREW | VIS | SCHRAUBE |
| 47 | 12691900/0 | 2 | VITE | SCREW | VIS | SCHRAUBE |
| 48 | 12521350/0 | 4 | RONDELLA | WASHER | RONDELLE | SCHIBE |
| 49 | 81005102/0 | 1 | PIASTRINA FISSAGGIO MANICO | PLATE FOR HANDLE FASTENING | PLAQUETTE FIXAGE MANCHERON | HOLMBEFESTIGUNG PLÄTTCHEN |
| 49A | 22551632/0 | 1 | PIASTRINA FISSAGGIO MANICO | PLATE FOR HANDLE FASTENING | PLAQUETTE FIXAGE MANCHERON | HOLMBEFESTIGUNG PLÄTTCHEN |
| 50 | 12819120/0 | 2 | VITE | SCREW | VIS | SCHRAUBE |
| 51 | 22680006/0 | 2 | ROSETTA | WASHER | RONDELLE | SCHIBE |
| 52 | 22399900/0 | 2 | MANOPOLINA | KNOB | POIGNÉE | GRIFF |
| 53 | 12293200/0 | 2 | DADO | NUT | ECROU | MUTTER |
| 54 | 18710562/0 | 1 | SALVAMOTORE M.M. 8,5 A 602 MS (1300W IBMEI/ RST) | DEAD HAND SWITCH 8,5 A 602 MS (1300W IBMEI/ RST) | INT. MAIN MORTE 8,5 A 602 MS (1300W IBMEI/ RST) | TOT MANSCHALTER 8,5 A 602 MS (1300W IBMEI/ RST) |
| — | 18710563/0 | 1 | 8,5 A 603 MS (1300W IBMEI/ RST) SOLO PER SVIZZERA | 8,5 A 603 MS (1300W IBMEI/ RST) ONLY FOR SWITZERLAND | 8,5 A 603 MS (1300W BMEI/ RST) SEULEMENT POUR LA SUISSE | 8,5 A 603 MS (1300W IBMEI/ RST) NUR FÜR SCHWEIZ |
| — | 18710624/1 | 1 | 8,5 A 607 MS (1300W IBMEI) | 8,5 A 607 MS (1300W IBMEI) | 8,5 A 607 MS (1300W IBMEI) | 8,5 A 607 MS (1300W IBMEI) |
| — | 18710604/0 | 1 | 10 A 602 MS (1600W IBMEI/ RST) | 10 A 602 MS (1600W IBMEI/ RST) | 10 A 602 MS (1600W BMEI/ RST) | 10 A 602 MS (1600W IBMEI/ RST) |
| — | 18710572/0 | 1 | 10 A 603 MS (1600W IBMEI/ RST) SOLO PER SVIZZERA | 10 A 603 MS (1600W IBMEI/ RST) ONLY FOR SWITZERLAND | 10 A 603 MS (1600W BMEI/ RST) SEULEMENT POUR LA SUISSE | 10 A 603 MS (1600W IBMEI/ RST) NUR FÜR SCHWEIZ |
| — | 18710628/0 | 1 | 10 607 MS (1600W IBMEI) | 10 607 MS (1600W IBMEI) | 10 607 MS (1600W IBMEI) | 10 607 MS (1600W IBMEI) |
| 55 | 22195101/1 | 1 | FERMACAVALO | FAIR LEAD | FIXATION CABLE | KABELBEFESTIGUNG |
| 56 | 22192000/1 | 1 | FASCETTA ANCORAGGIO | ANCHOR CLAMP | COLLIER ANCRAGE | BOWDENZUGHALTER |
| 57 | 22192151/0 | 1 | FERMACAVALO | FAIR LEAD | FIXATION CABLE | KABELBEFESTIGUNG |
| 71 | 81001408/0 | 1 | ASSE RUOTE ANT. T 430 | FRONT WHEEL AXLE T 430 | AXE ROUES AVANT T 430 | VORDERRADACHSE T 430 |
| — | 81001410/0 | 1 | T 480 | T 480 | T 480 | T 480 |
| 72 | 22321502/0 | 1 | LEVA REGOLAZIONE | ADJUSTMENT LEVER | LEVIER REGLAGE | VERSTELLUNGHEBEL |
| 73 | 22400000/1 | 2 | MANOPOLINA | KNOB | POIGNÉE | GRIFF |
| 74 | 22519510/0 | 1 | PERNO | PIN | PIVOT | BOLZEN |
| 75 | 12691100/0 | 1 | VITE | SCREW | VIS | SCHRAUBE |
| 76 | 22170950/0 | 1 | DISTANZIALE DX | RIGHT SPACER | ENTRETOISE DROITE | RECHTER DISTANZRING |
| 77 | 22170940/0 | 1 | DISTANZIALE SX | LEFT SPACER | ENTRETOISE GAUCHE | LINKER DISTANZRING |
| 78 | 12523060/0 | 2 | ROSETTA | WASHER | RONDELLE | SCHIBE |
| 79 | 12155000/0 | 2 | DADO | NUT | ECROU | MUTTER |
| 80 | 81001406/0 | 1 | ASSE RUOTE POST. | REAR WHEEL AXLE | AXE ROUES ARRIERE | HINTERRADACHSE |
| 81 | 22545152/0 | 2 | PIASTRINA | PLATE | PLAQUETTE | PLATTE |
| 82 | 12735402/0 | 4 | VITE | SCREW | VIS | SCHRAUBE |
| 83 | 22321497/0 | 1 | LEVA REGOLAZIONE | ADJUSTMENT LEVER | LEVIER REGLAGE | VERSTELLUNGHEBEL |
| 84 | 12609260/0 | 1 | ANELLO ARRESTO | RING | ANNEAU DE TENNUE | RING |
| 85 | 81007317/0 | 2 | RUOTA SCOLPITA Ø 170 | KNOBBLBY WHEEL Ø 170 | ROUE SCULPTEE Ø 170 | RAD M. STOLLENPR. Ø 170 |
| 86 | 81007318/1 | 2 | RUOTA SCOLPITA Ø 210 | KNOBBLBY WHEEL Ø 210 | ROUE SCULPTEE Ø 210 | RAD M. STOLLENPR. Ø 210 |
| 87 | 22122200/0 | 8 | CUSCINETTO | BEARING | ROULEMENT | KUGELLAGER |
| 88 | 12530150/0 | 4 | ROSETTA ELASTICA | ELASTIC WASHER | RONDELLE ELASTIQUE | ELASTISCHE SCHEIBE |
| 89 | 12521350/0 | 4 | ROSETTA | WASHER | RONDELLE | SCHIBE |
| 90 | 12155000/0 | 4 | DADO | NUT | ECROU | MUTTER |
| 91 | 22110282/0 | 2 | COPRIMOZZO BIANCO | HUB CAP WHITE | COUVRE MOYEU BLANC | RADKAPPE WEIBE |
| — | 22110288/0 | 2 | GIALLO | YELLOW | JAUNE | GELBE |
| — | 22110290/0 | 2 | ROSSO | RED | ROUGE | ROTE |
| 92 | 22110281/0 | 2 | COPRIMOZZO BIANCO | HUB CAP WHITE | COUVRE-MOYEU BLANC | RADKAPPE WEIBE |
| — | 22110287/0 | 2 | GIALLO | YELLOW | JAUNE | GELBE |
| — | 22110289/0 | 2 | ROSSO | RED | ROUGE | ROTE |
| 101 | 96400000/0 | 1 | ASS. SACCO IN TELA | CANVASS GRASSCATCHER ASS.Y | ENSEMBLE SAC EN TOILE | KOMPLETTER SACK |
| 102 | 81002124/1 | 1 | TELA SACCO | FABRIC BOX | TOILE POUR SAC | TUCK FÜR SACK |
| 103 | 81006430/0 | 1 | TELAIO | CHASSIS | CHÂSSIS | RAHMEN |
| 111 | 96500000/0 | 1 | SACCO COMPLETO | COMPLETE GRASS-BOX | SAC COMPLET | KOMPLETTER KORB |
| 112 | 22486065/0 | 1 | PORTE SUP. SACCO | UPPER GRASS-BOX | PARTIE SUP. SAC | OBERTKORB |
| 113 | 22486064/0 | 1 | PORTE INF. SACCO | LOWER GRASS-BOX | PARTIE INF. SAC | UNTERKORB |
| 115 | 12521350/0 | 2 | RONDELLA | WASHER | RONDELLE | SCHIBE |
| — | 81008594/0 | 1 | DOTAZIONE VITERIA | SCREWS OUTFIT | DOTATION VISSERIE | SCHRAUBEN SATZ |